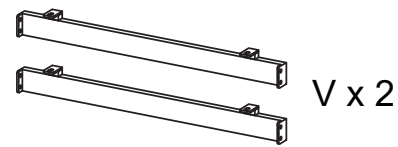
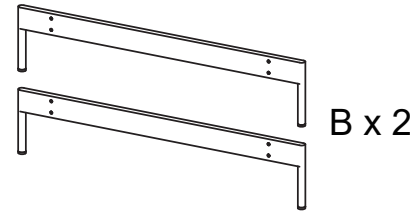
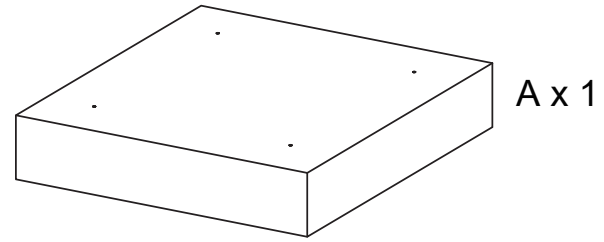




① x 12 

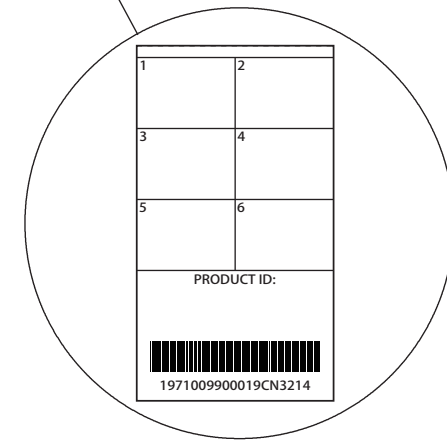
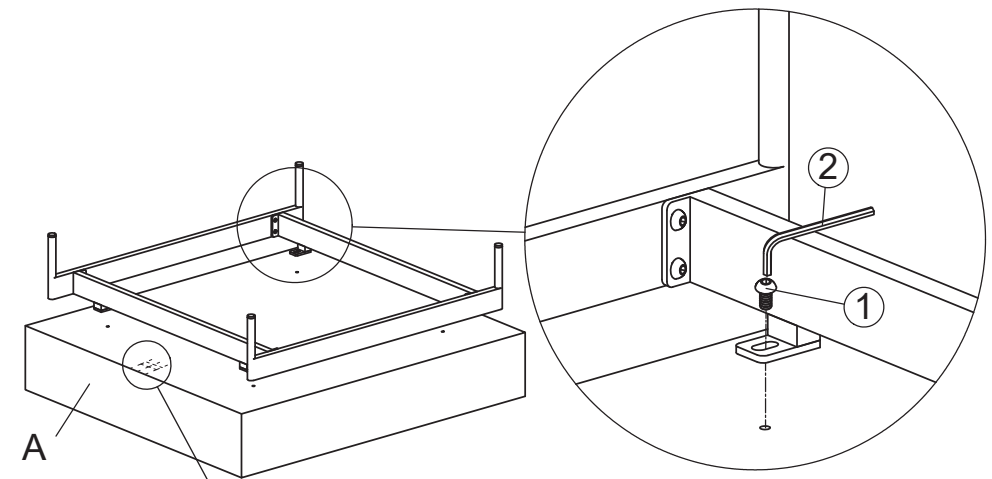
② x 1 



069701

2

① x 4 



1

① x 8 