



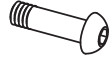
① x 4



② x 12



③ x 2



④ x 2



⑤ x 2



⑥ x 2



⑦ x 8



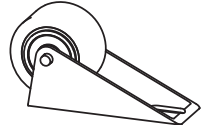
⑧ x 1



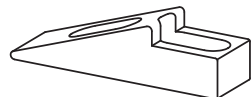
⑨ x 1



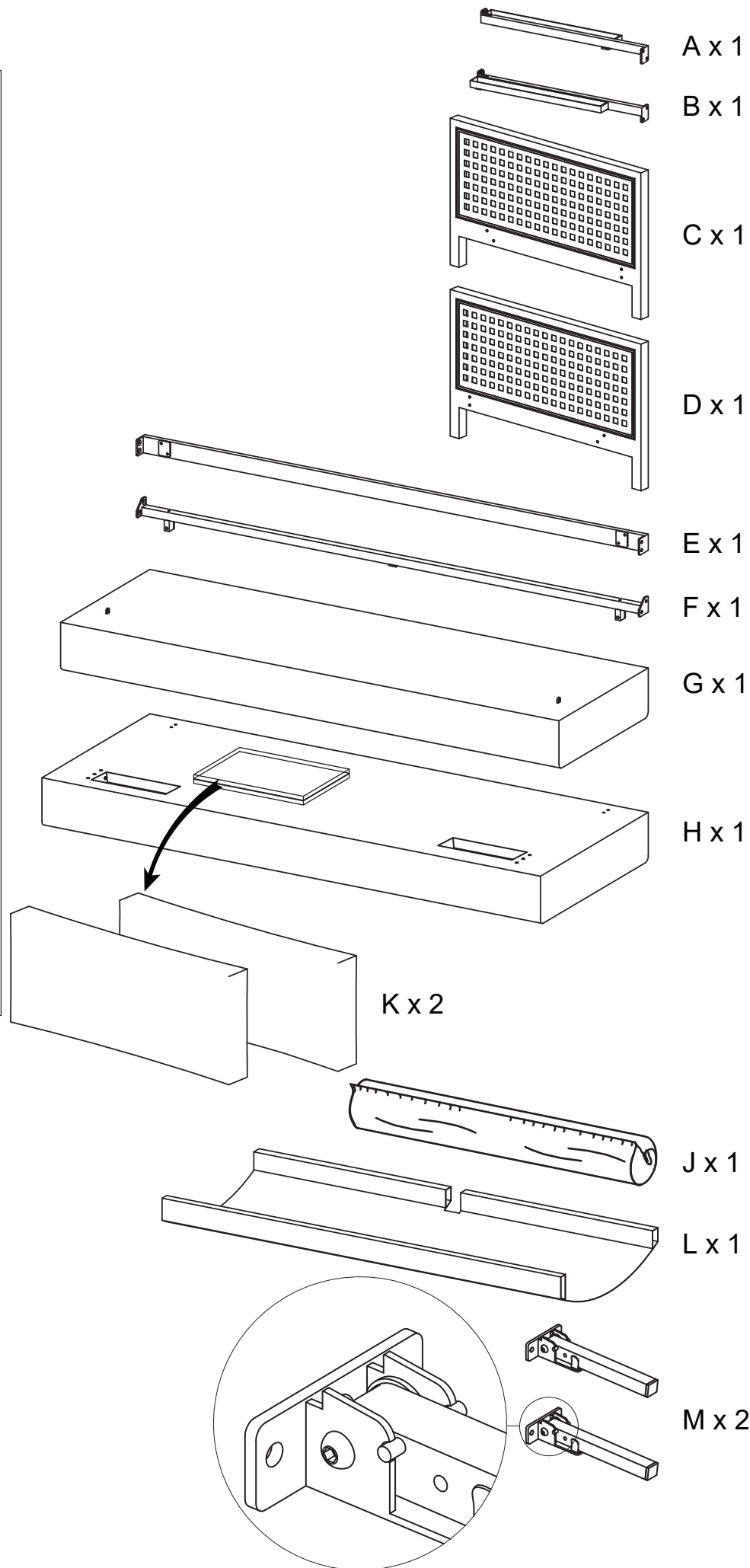
⑩ x 2



⑪ x 2

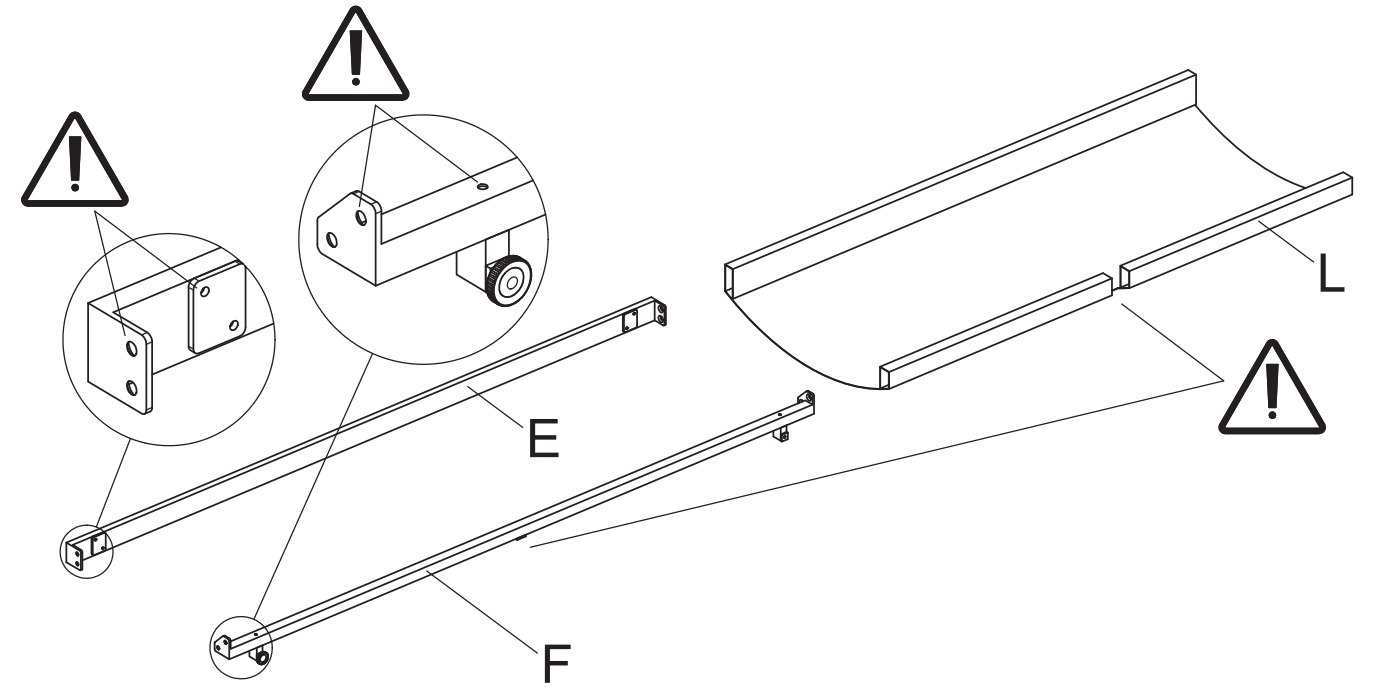


⑫ x 1



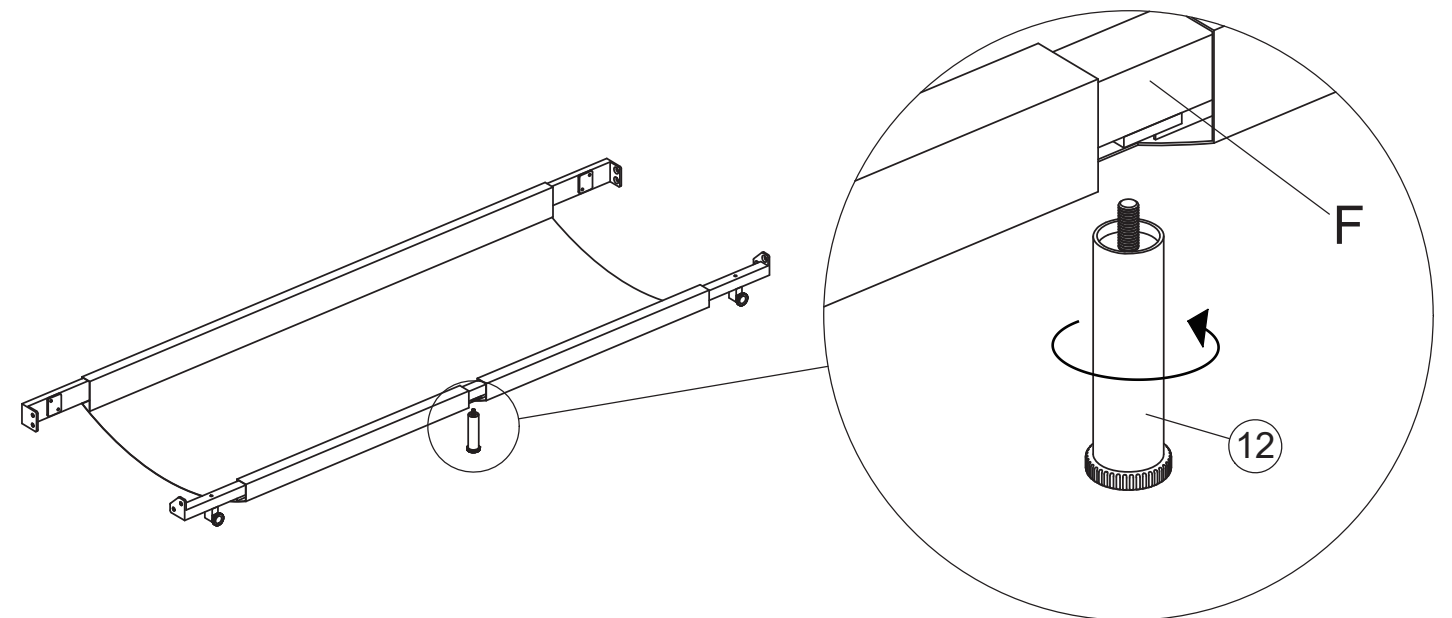
069964

1




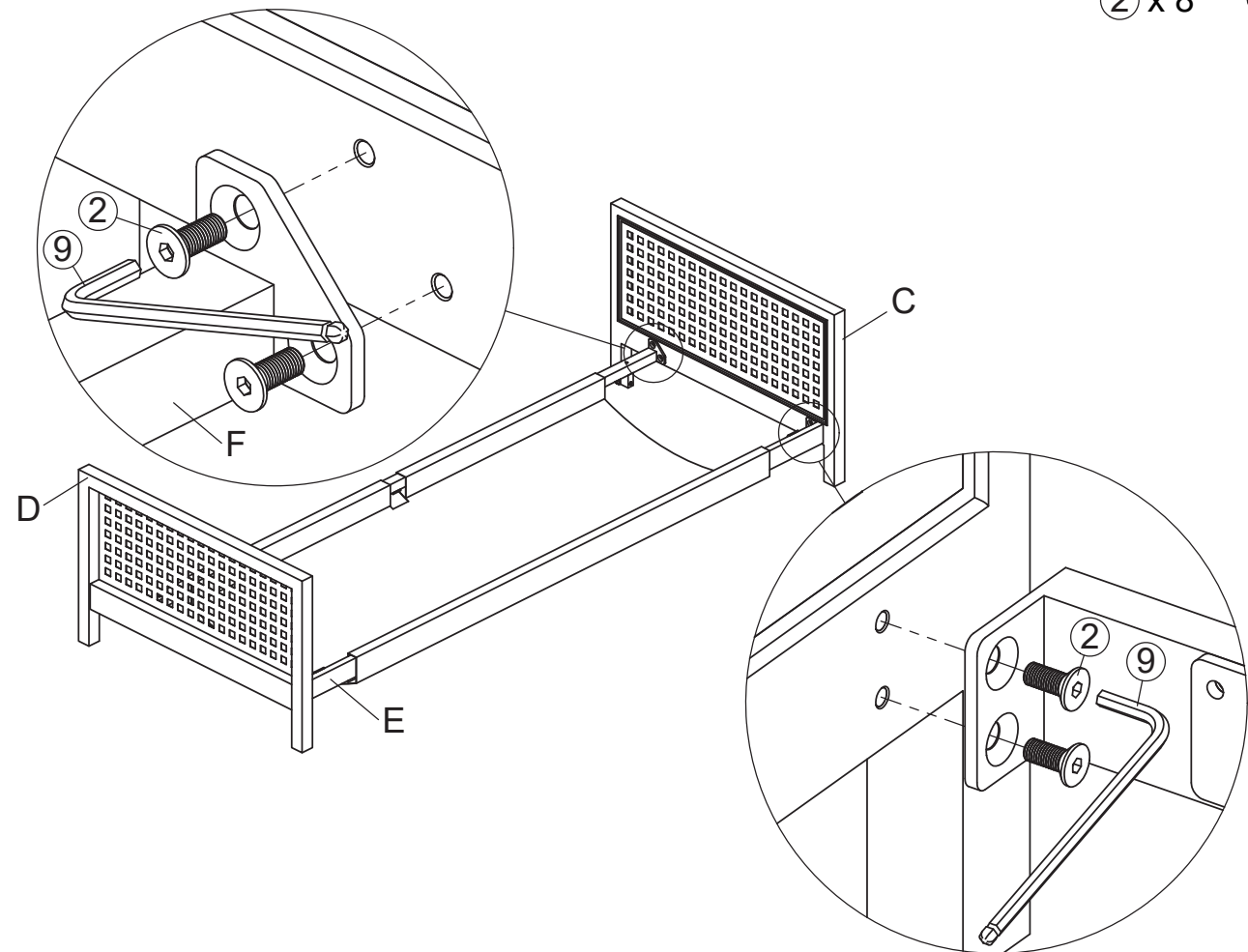
2

⑫ x 1



3

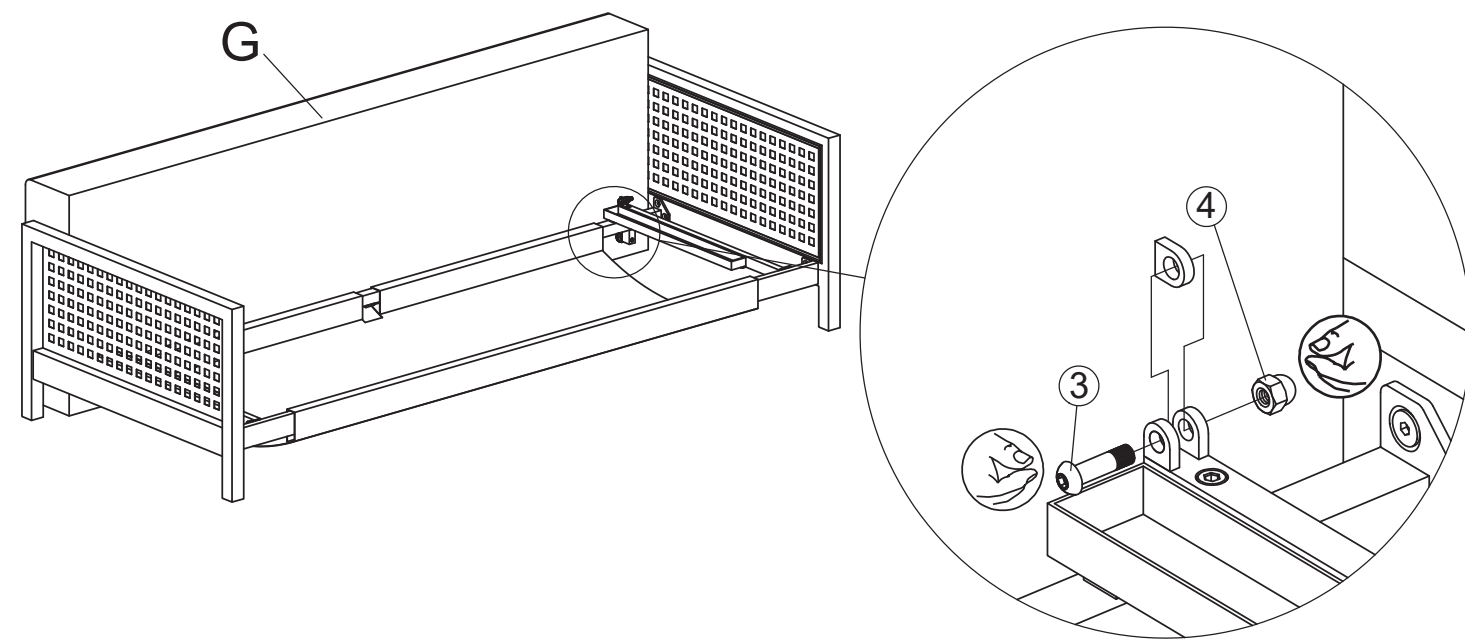
② x 8 




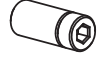

5

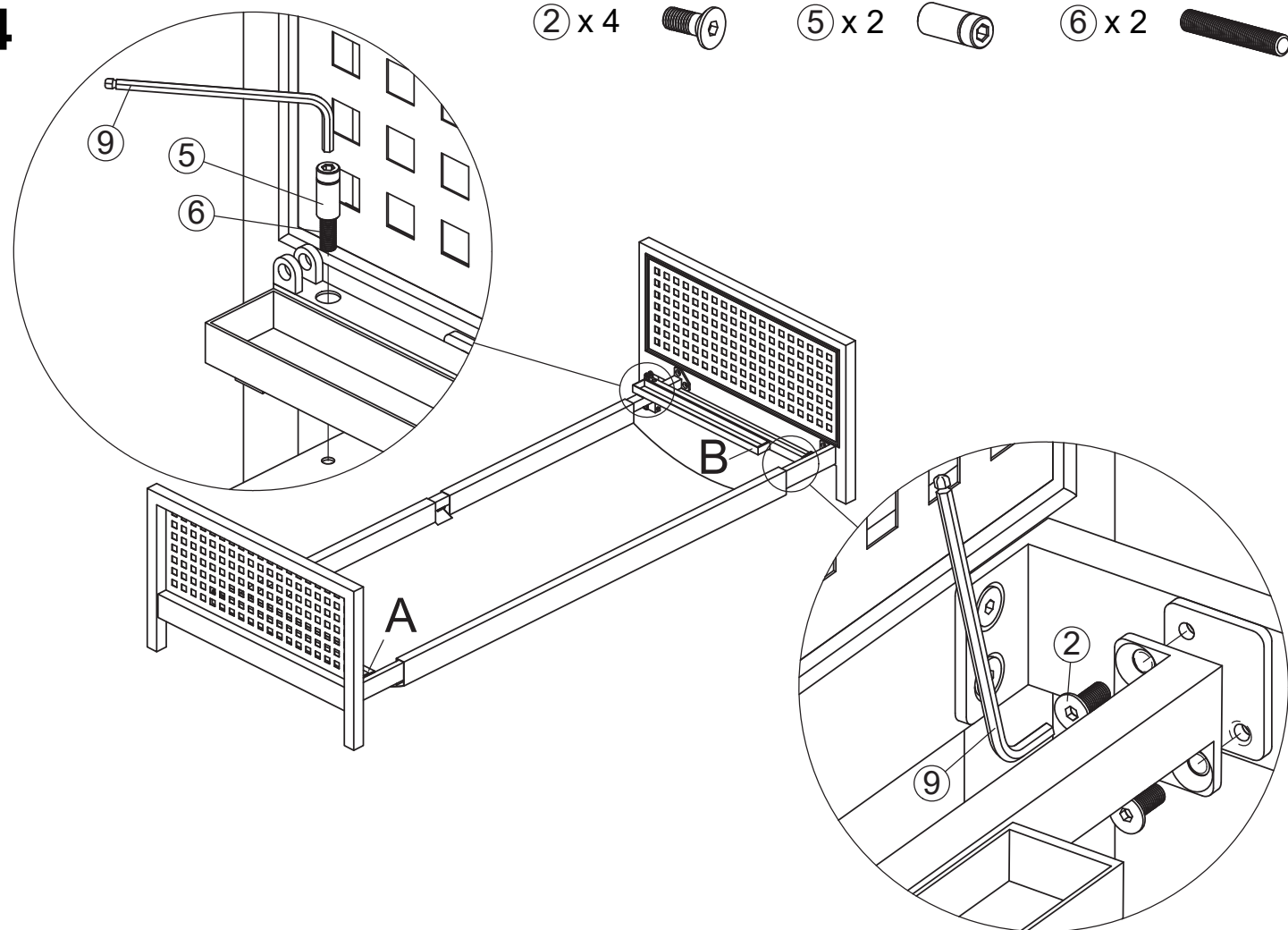
③ x 2  ④ x 2 

069964

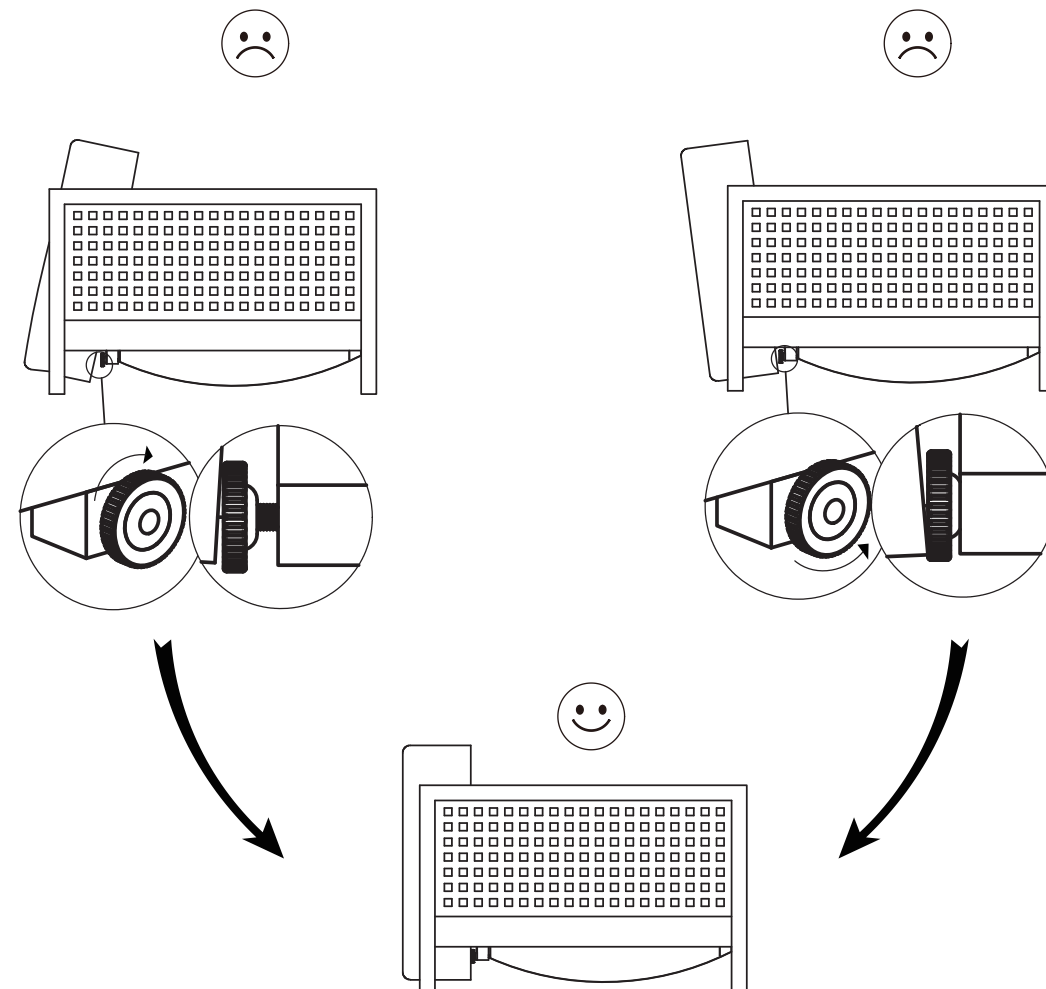


4

② x 4  ⑤ x 2  ⑥ x 2 

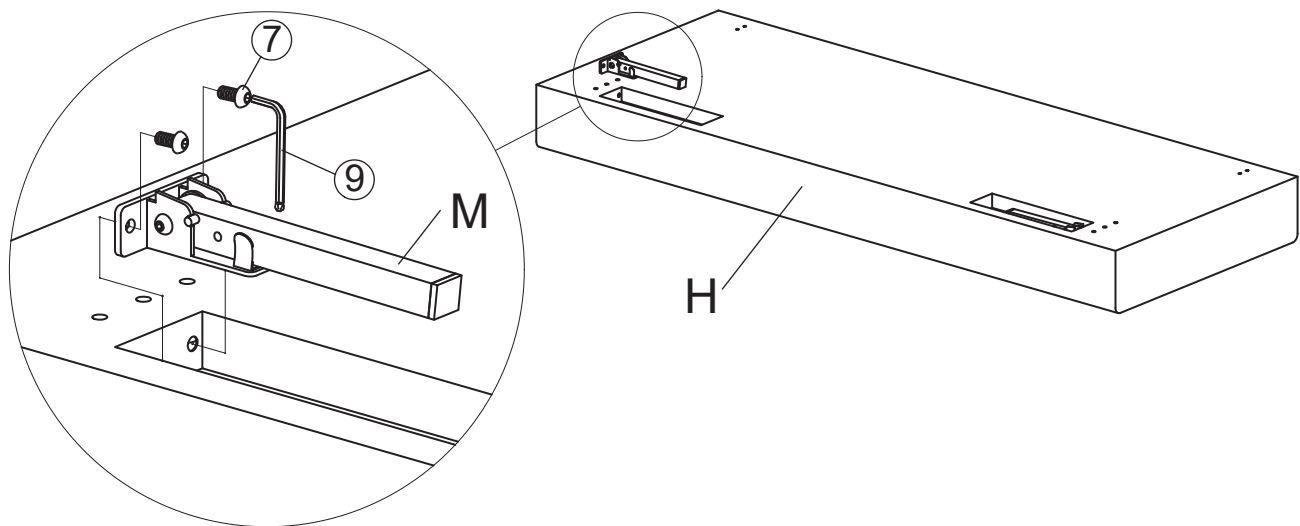


6



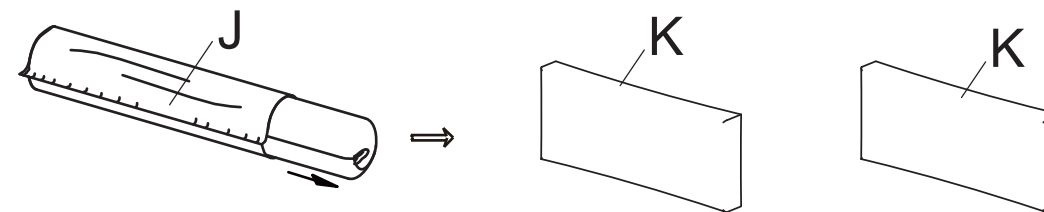
7

⑦ x4 




069964

9



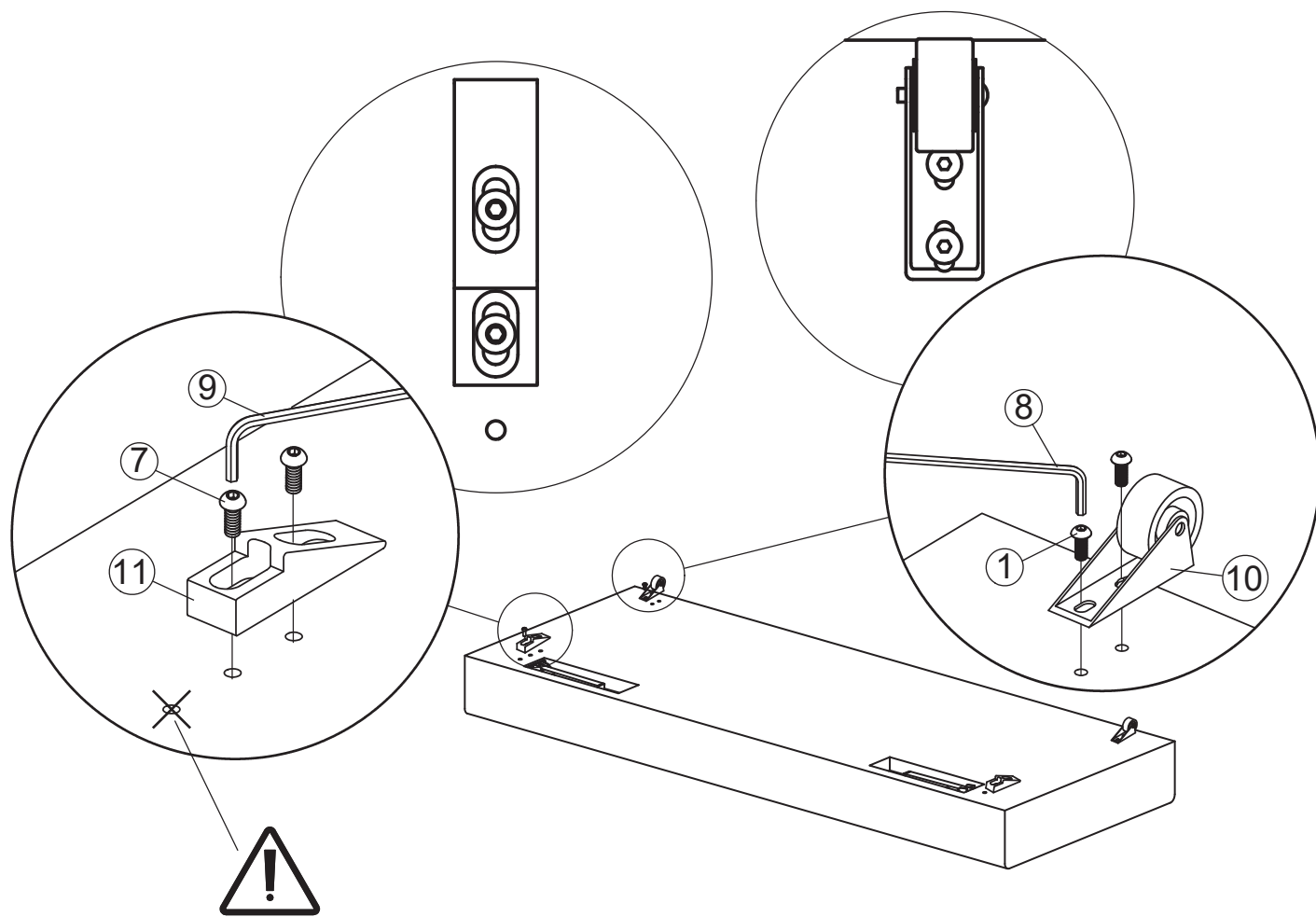
8

① x4 

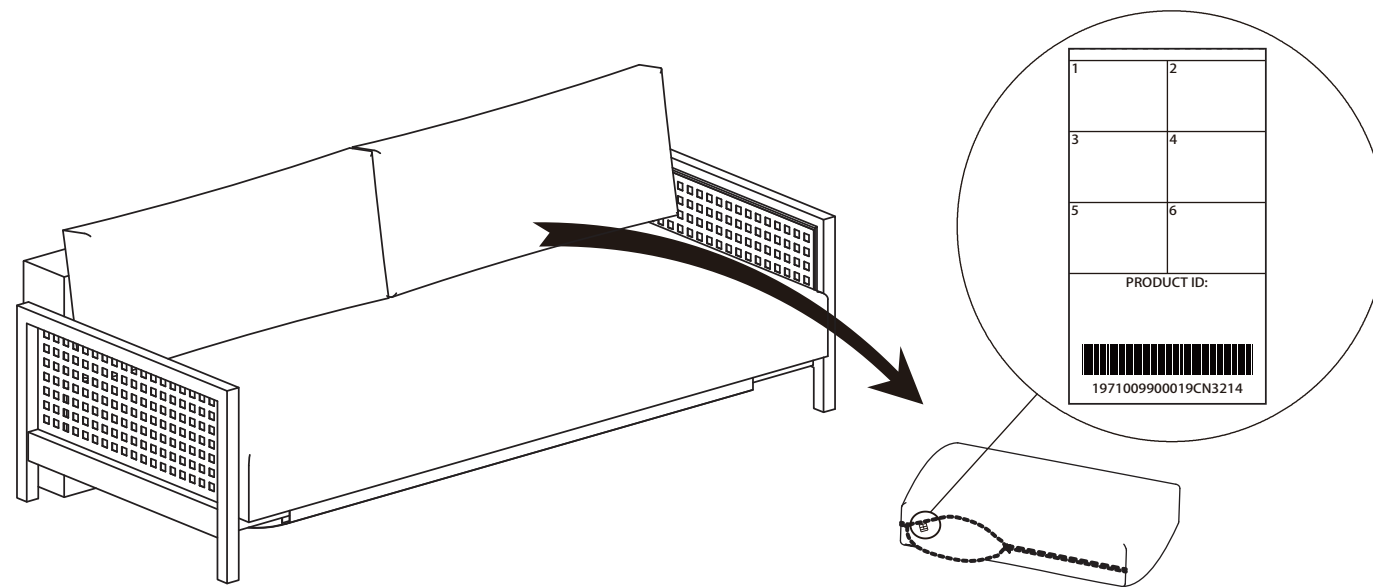
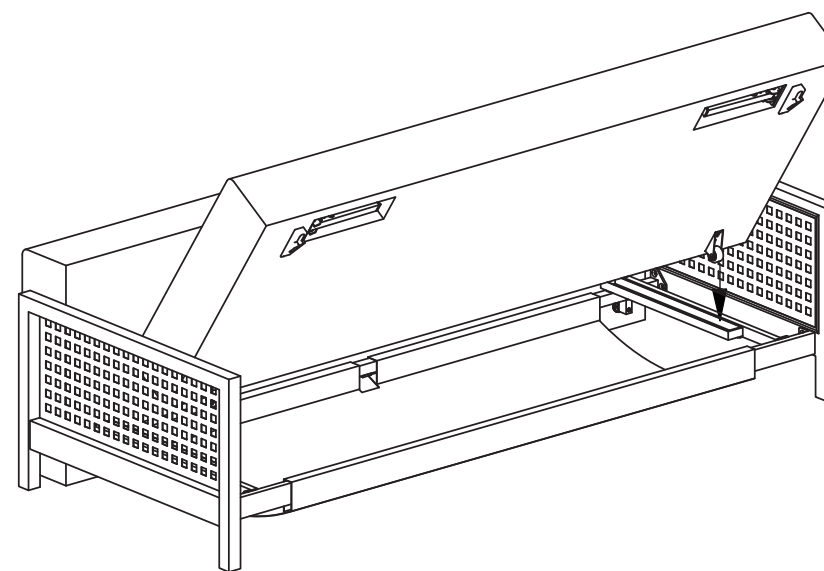
⑦ x4 

⑩ x2 

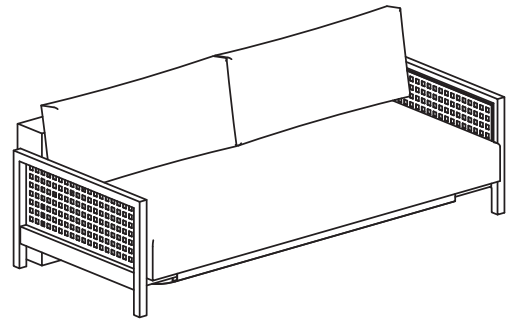
⑪ x2 



10

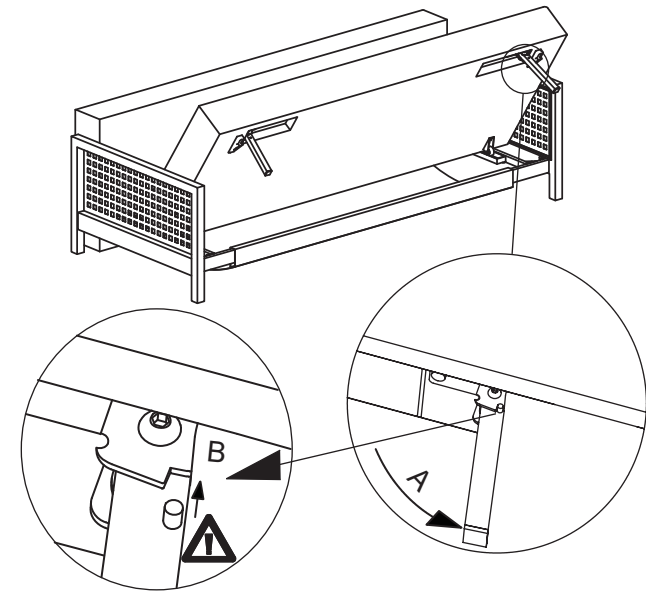


1

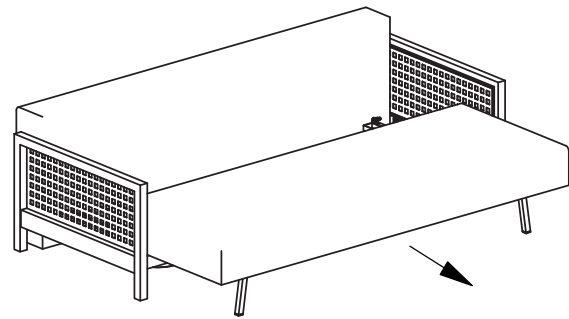


SIDDE-SITZEN-SIT-ASSISE

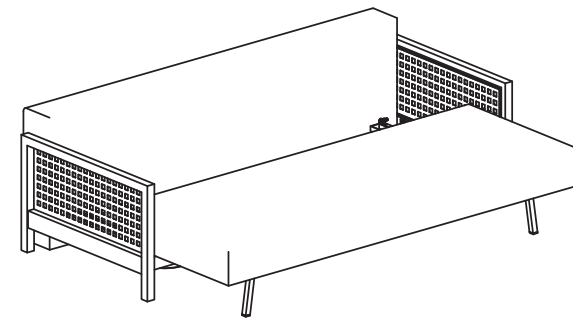
2



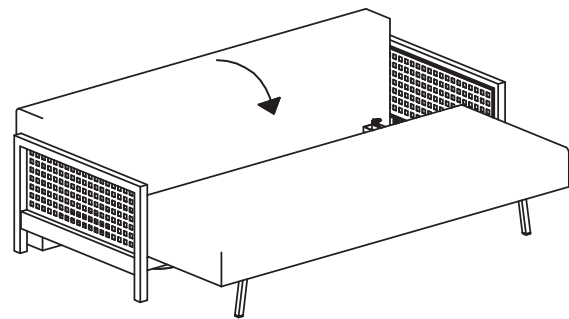
3



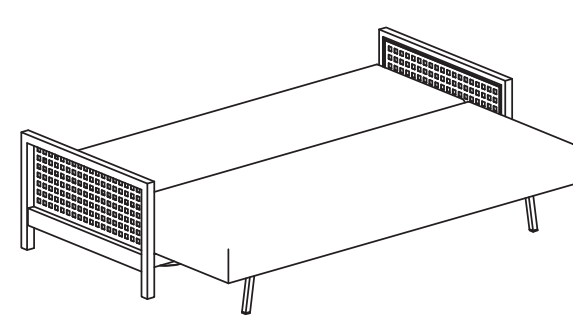
4



5



6



SOVE-SCHLAFEN-SLEEP-DORMIR