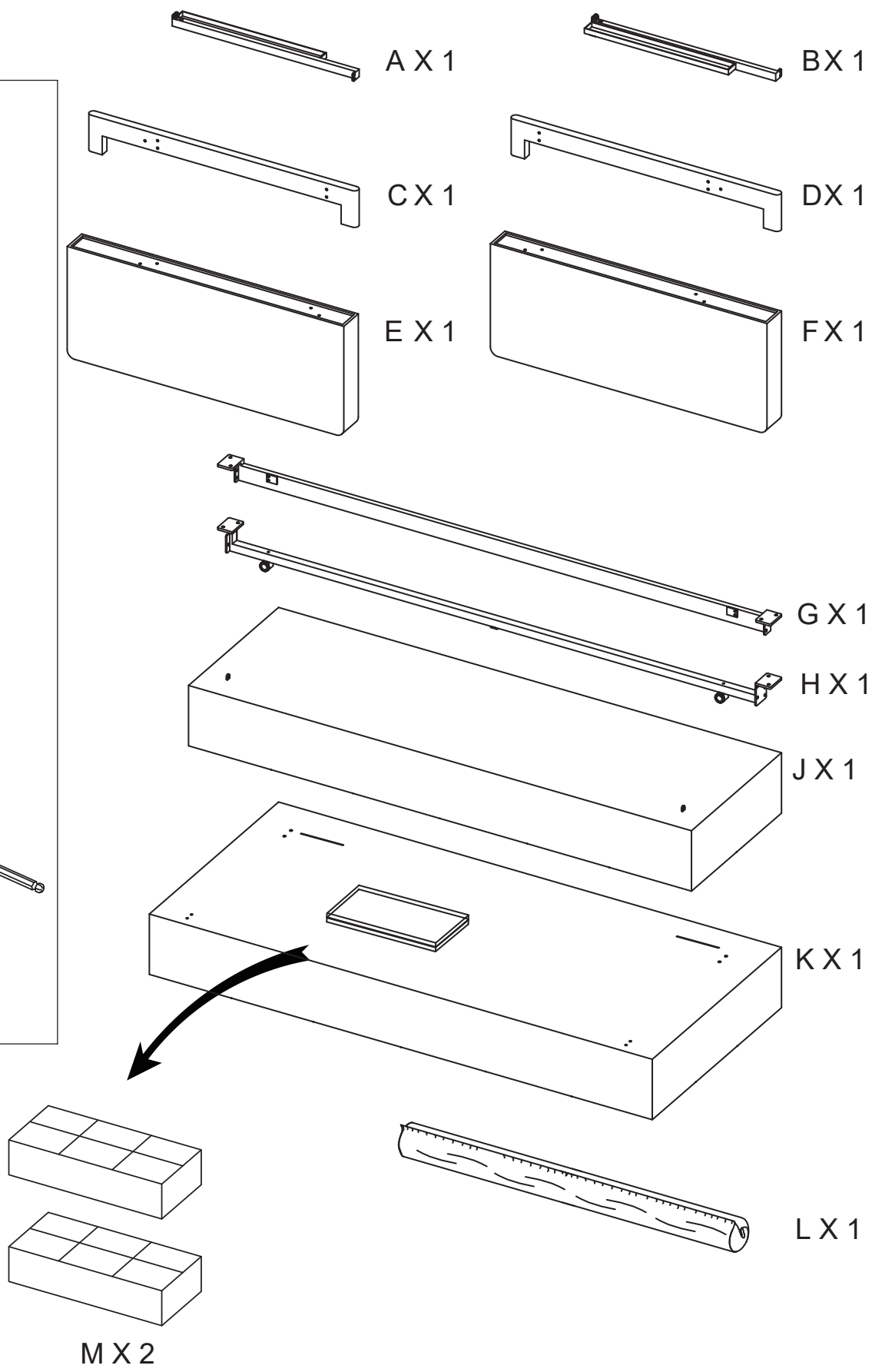
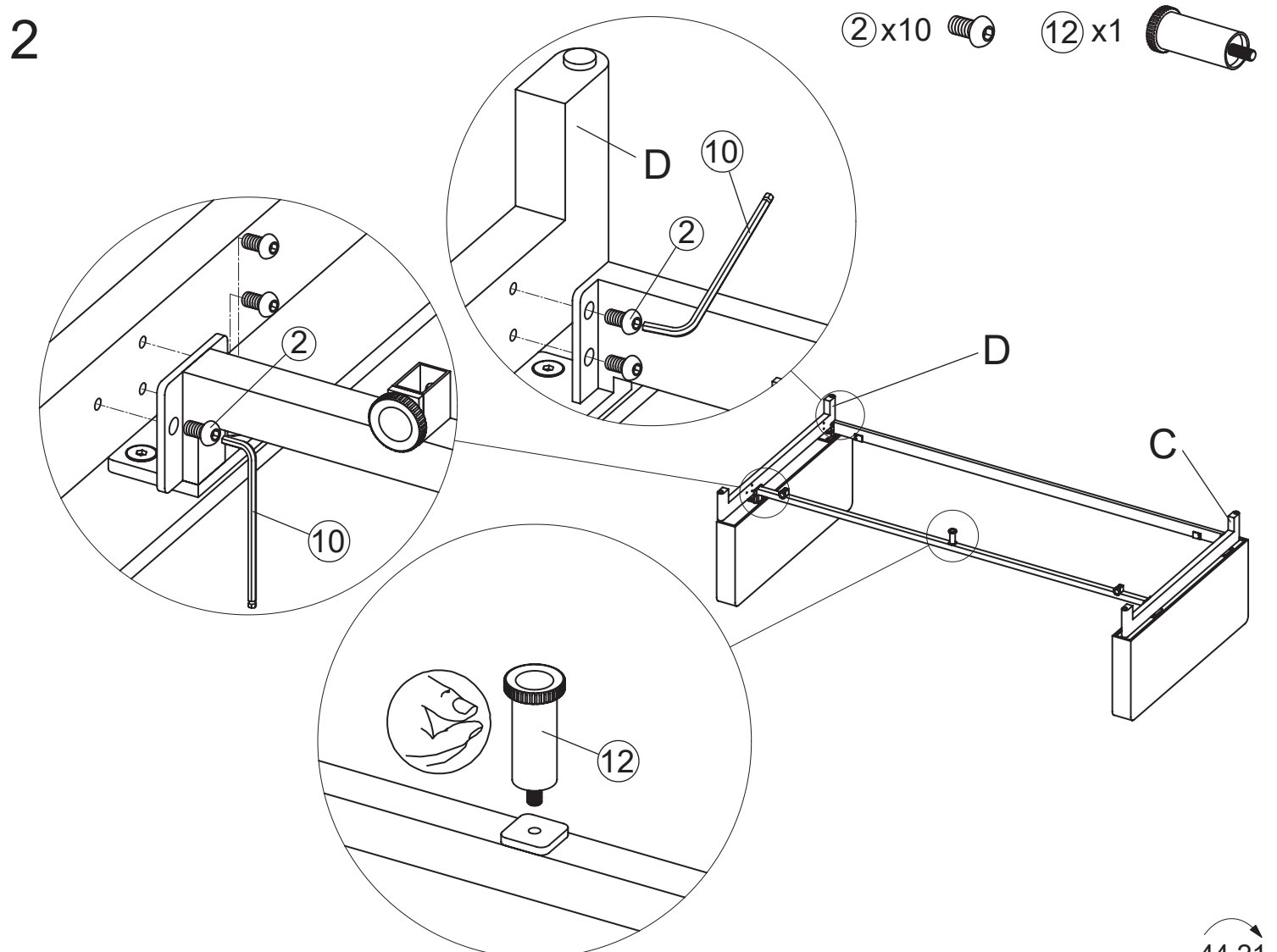
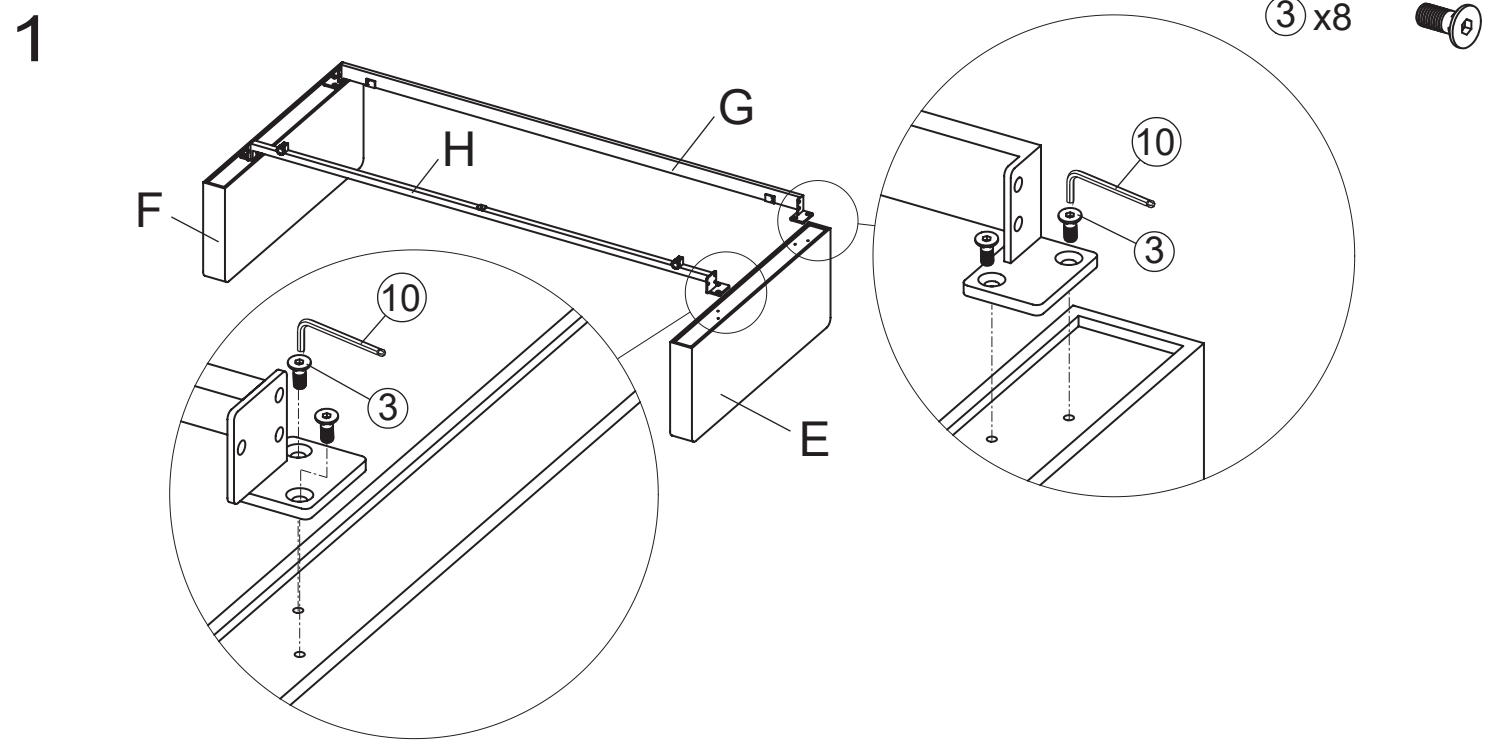




- ① x4
- ② x18
- ③ x8
- ④ x2
- ⑤ x2
- ⑥ x2
- ⑦ x2
- ⑧ x2
- ⑨ x2
- ⑩ x1
- ⑪ x1
- ⑫ x1



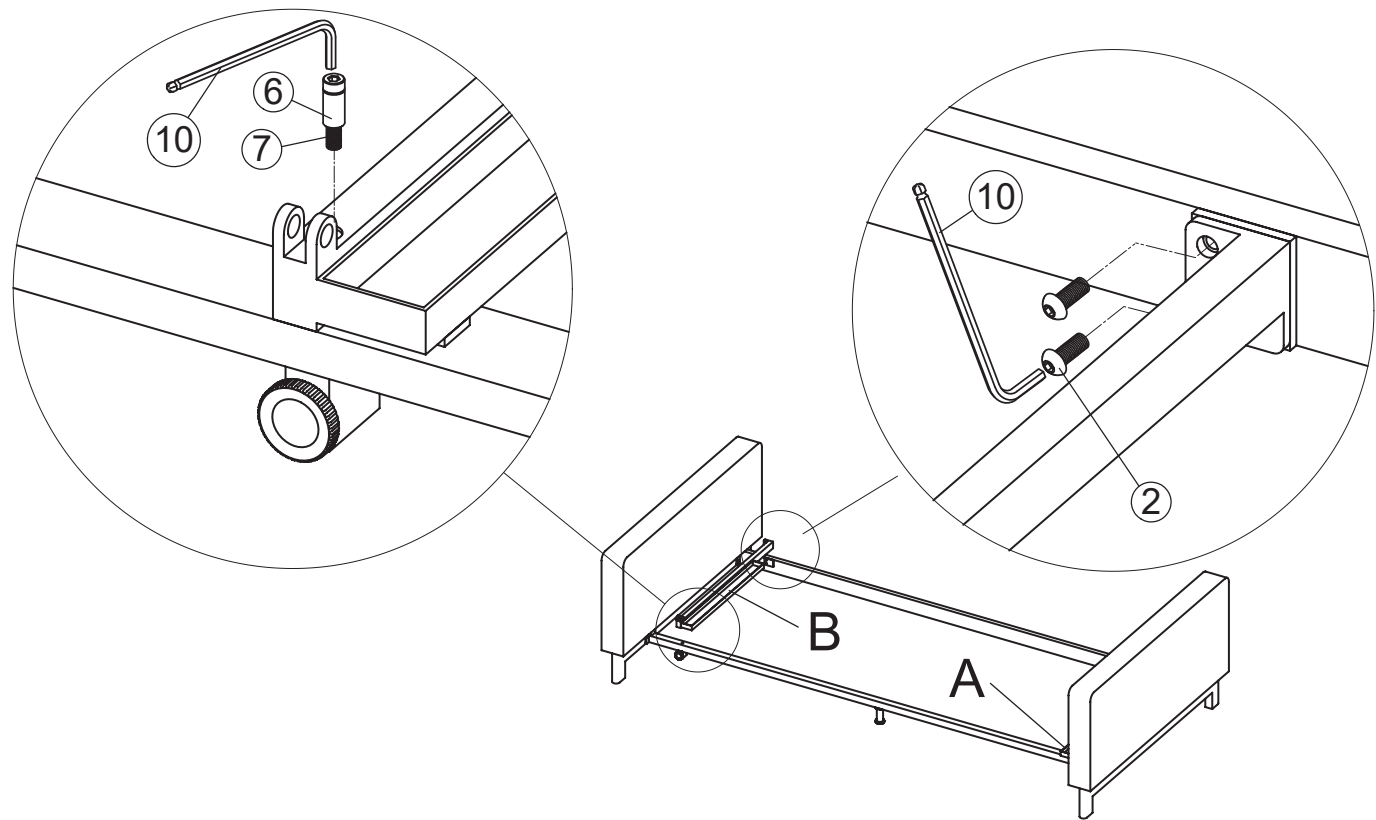
069947



3

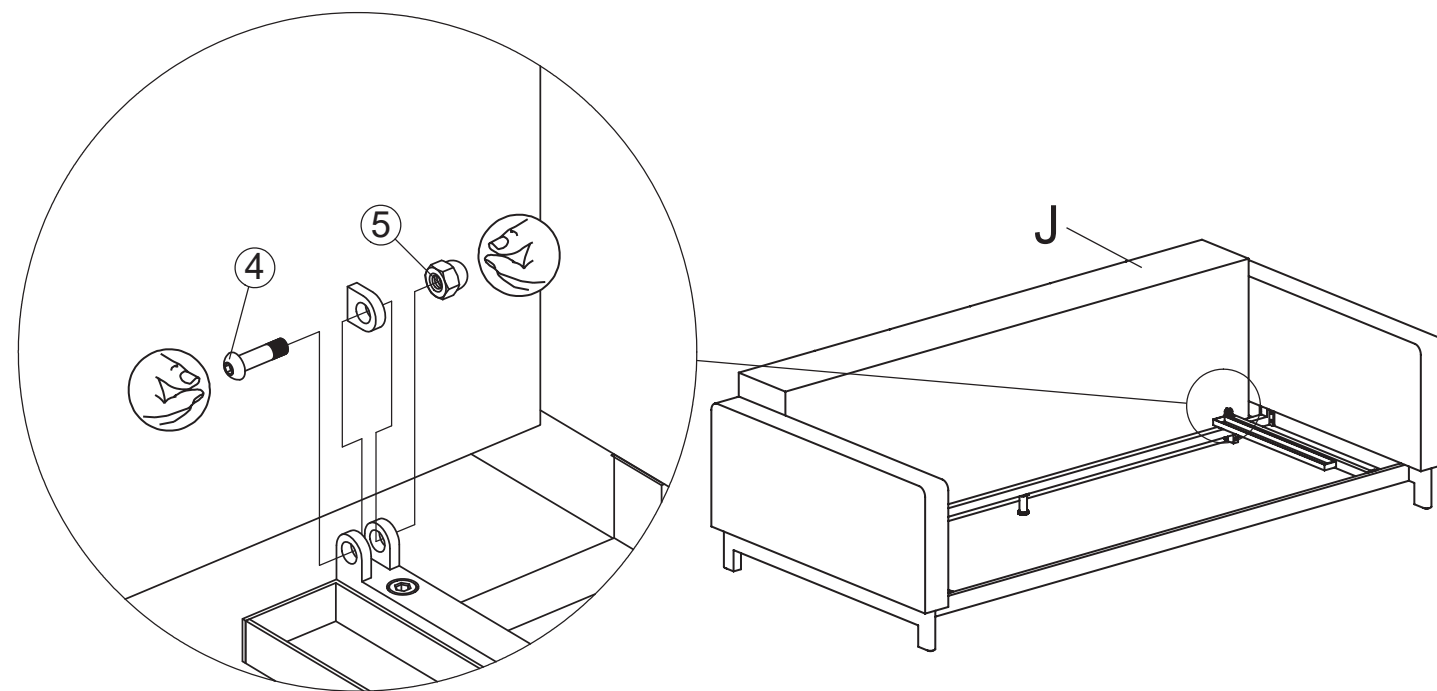
② x4  ⑥ x2  ⑦ x2 

069947



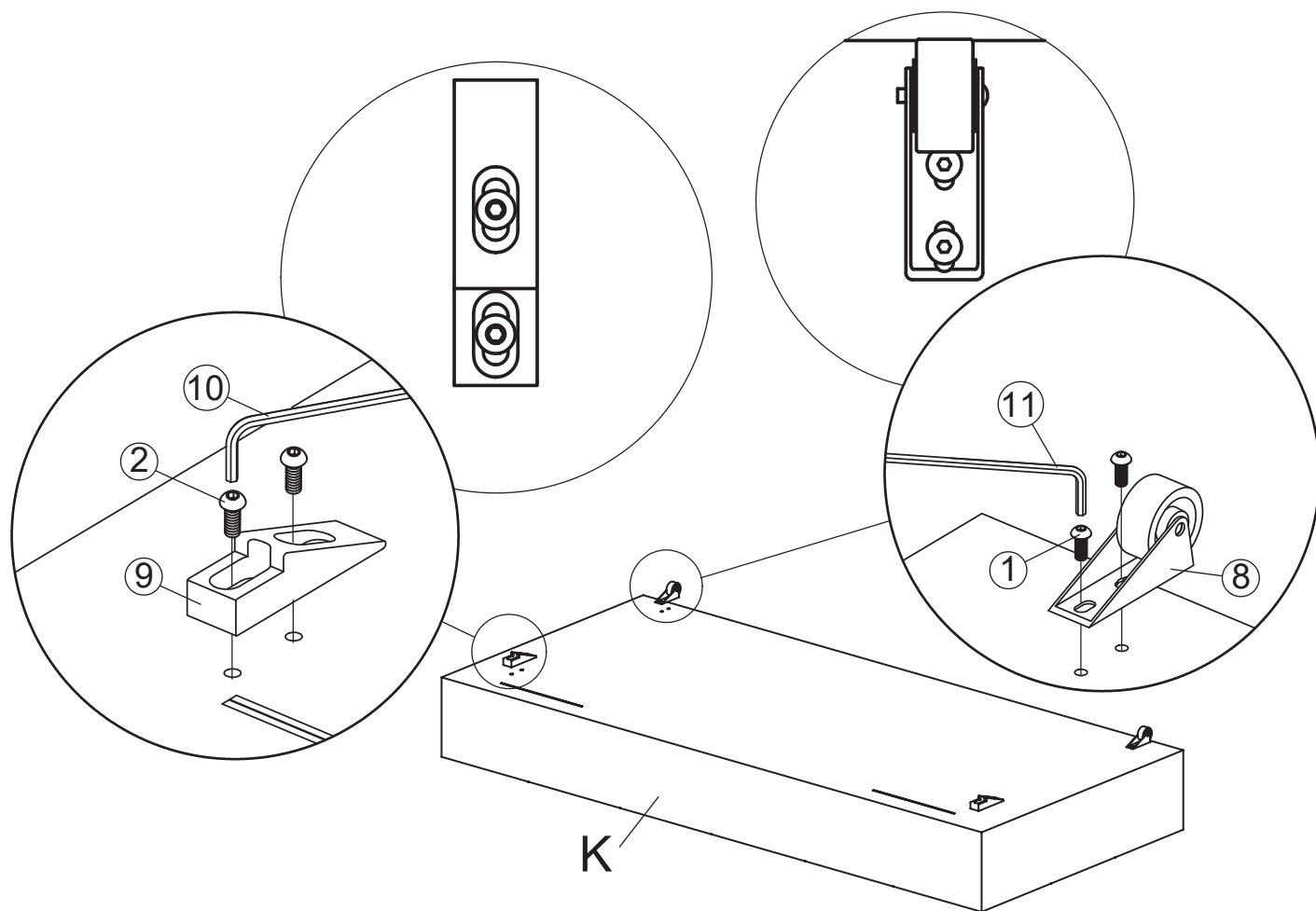
5

④ x2  ⑤ x2 

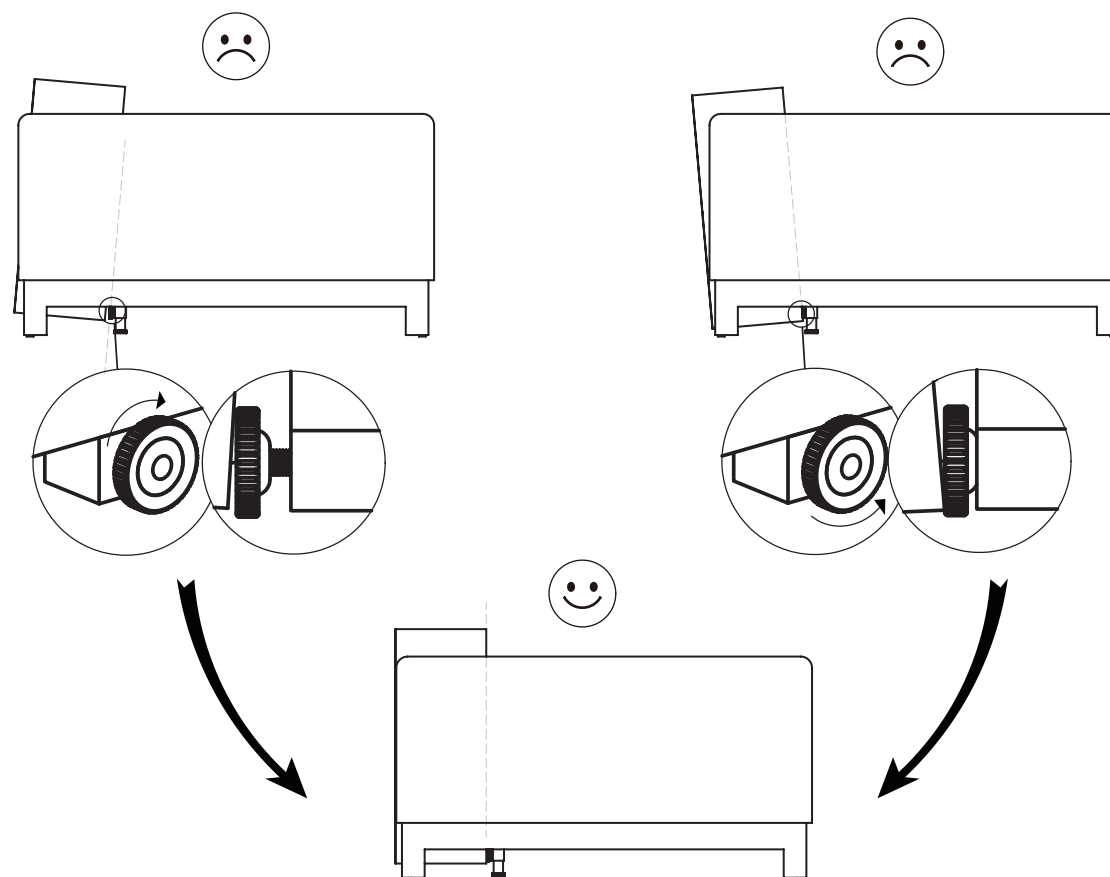


4

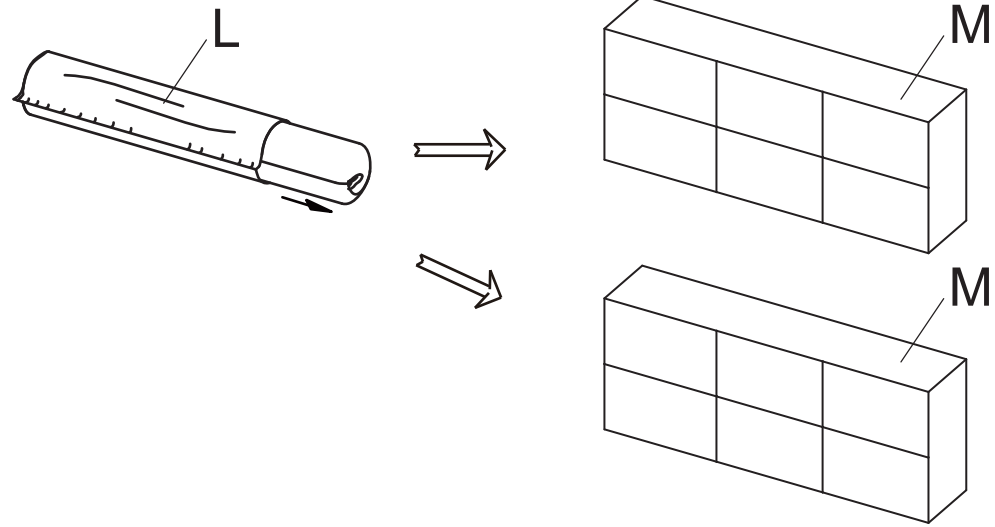
① x4  ② x4  ⑧ x2  ⑨ x2 



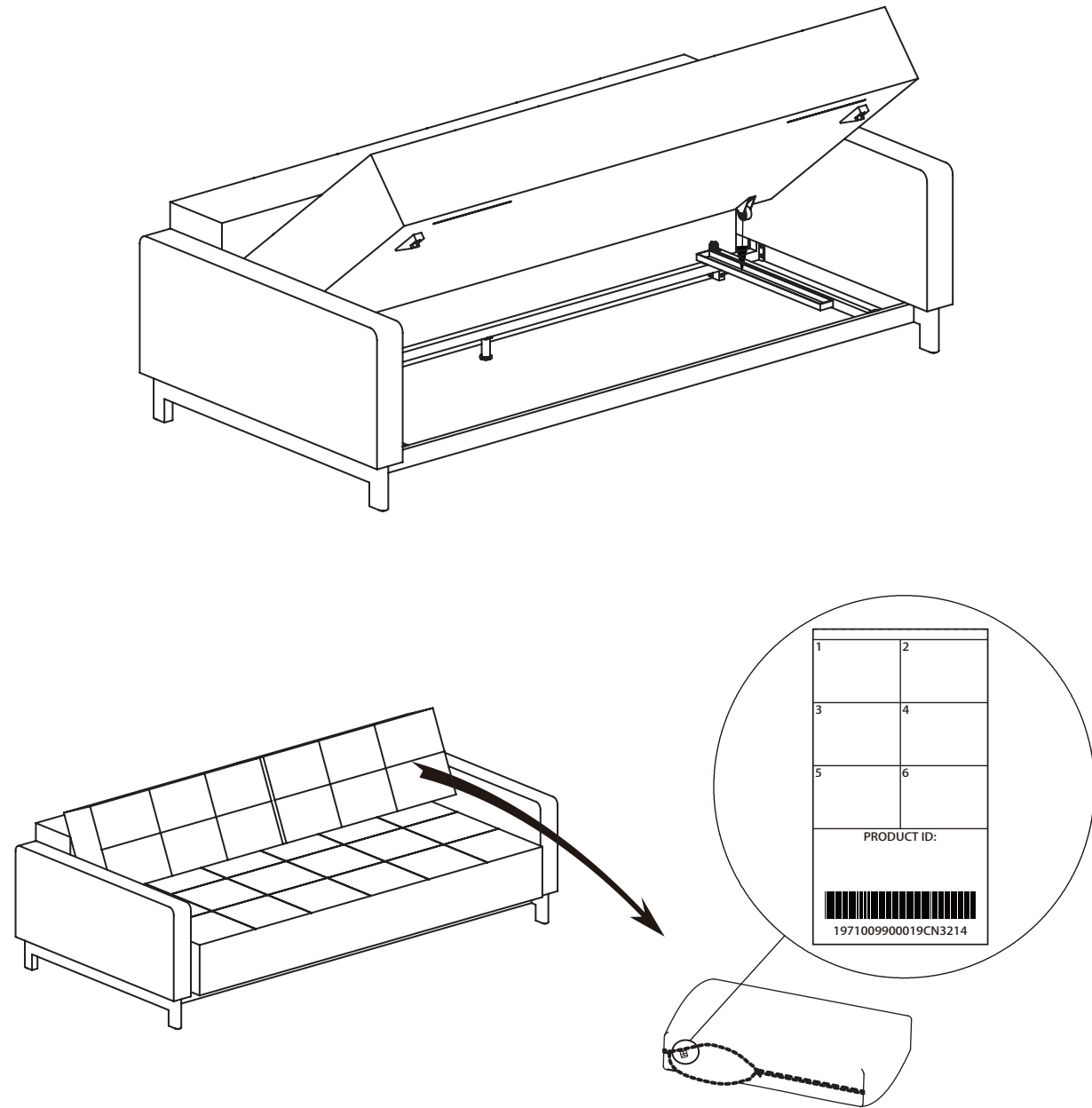
6



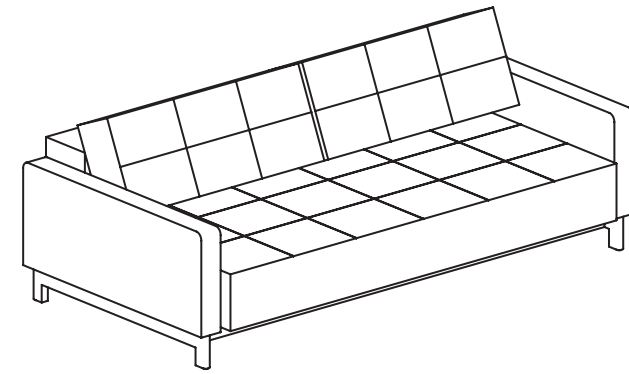
7



8



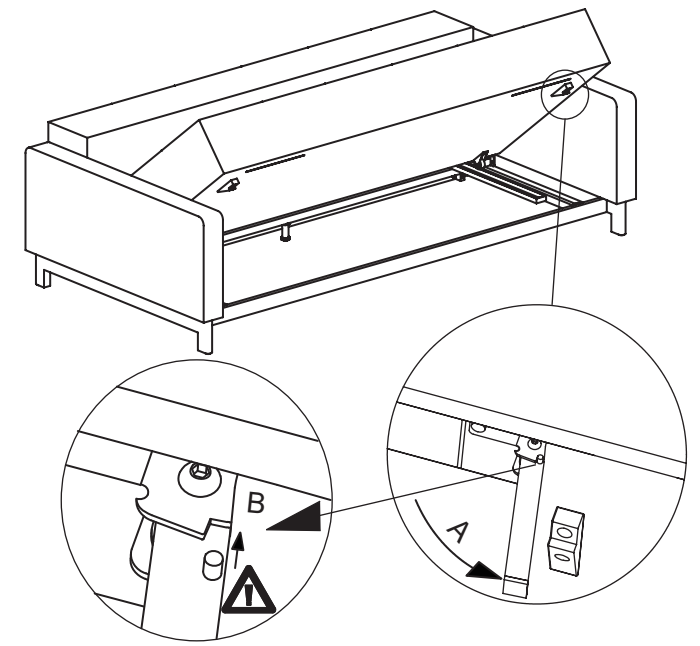
1



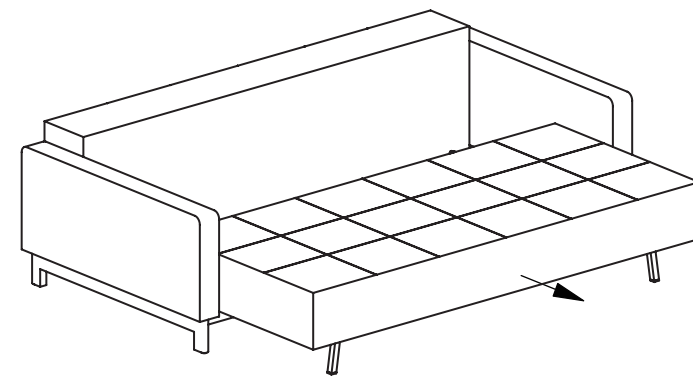
SIDDE-SITZEN-SIT-ASSISE

2

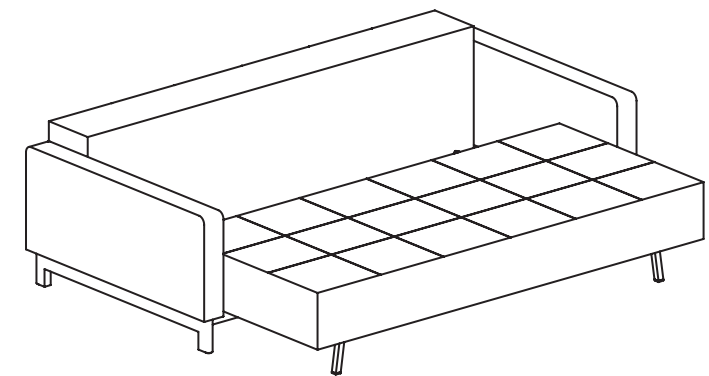
069947



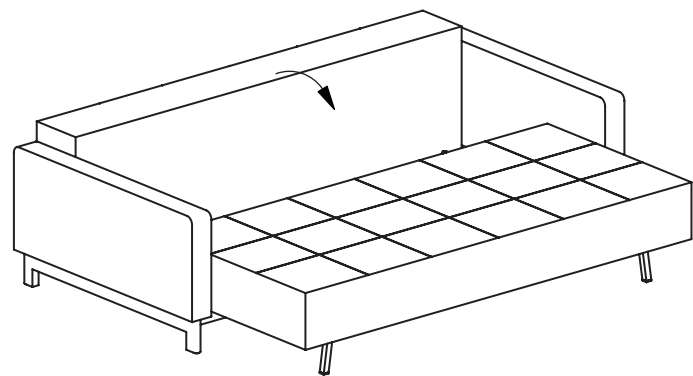
3



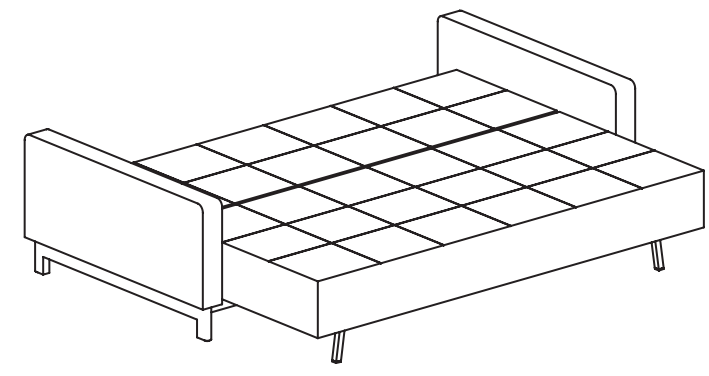
4



5



6



SOVE-SCHLAFEN-SLEEP-DORMIR